

CASE STUDY

SDMG

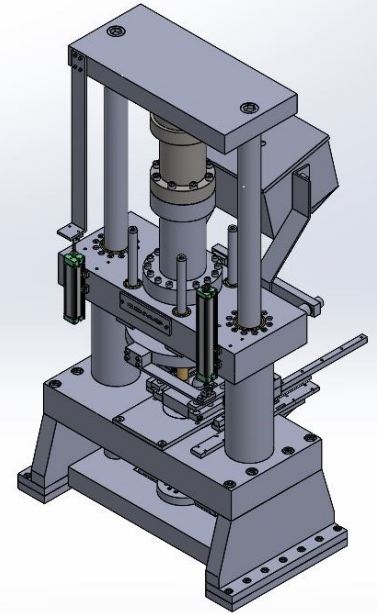


BRINGING DESIGN CONCEPTS TO LIFE WITH SOLIDWORKS

Sri Yugantak Engineers was established in the year 2005 by Mr. Rajaram Kamath. He is a Mechanical Engineer with 27 years' experience in designing, manufacturing and technical services of various types of Hydraulic presses and special purpose machines. From 17 years, we have supplied many presses and machines to many reputed companies. Due to our strong engineering background, we are able to design and manufacture presses and machines to suit exact customer requirements.

Products & Application:

- **Metal Forming & cutting Application**
- **Molding Application**
- **Diamond Tool Application**
- **Refrigerator & Radiator Industry Application**
- **Special Purpose Machines.**



"The combination of SOLIDWORKS design and SOLIDWORKS Visualize software speeds up the process because whenever we need to make a change in SOLIDWORKS, so the changes get transferred over to Visualize automatically. This allows us to reach final designs faster and resulting in 10 percent reduction in manufacturing process."

- Mr. Hrishikesh Kale
Design Engineer

CHALLENGES :

Streamline and automate design and manufacturing processes to save time, improve accuracy, and increase collaboration in support of business growth.

SOLUTION :

Implement SOLIDWORKS Professional & SOLIDWORKS Premium mechanical design software solutions.

CUSTOMER BENEFITS :

- Improved design accuracy and product quality
- Shortened design process by 30 percent.
- Reduced design-through-manufacturing process by 10 percent.
- Improved ability to communicate concepts to clients.

