

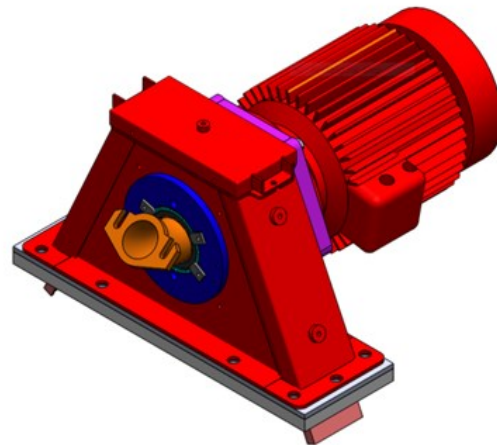
# CASE STUDY



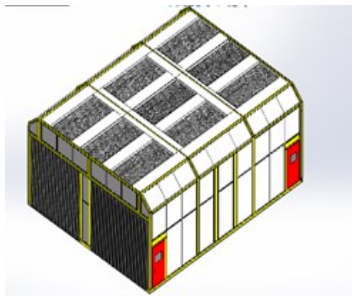
**Blastclean Systems Pvt. Ltd.**  
(Created to Prevent Corrosion)

## INCREASED PRODUCTIVITY, ACCURACY & EFFICIENCY WITH SOLIDWORKS 3D MODELLING SOLUTION

Established in the year 2011, in Mumbai, (Maharashtra, India), we “**Blastclean Systems Pvt. Ltd**”, are recognized as the prominent manufacturer of the best quality Shot Blasting Machine, Dust Collector, Material Handling Conveyors and much more. In addition to this, we also offer Shot Blasting Services, etc. to our clients. Under the direction of our Mentor “Johnson Martis (Director)”, we have been able to manage our leading position in the industry.



Our aim is to provide each one of our clients with products of Best quality at the lowest price and on time delivery.



“In present era SOLIDWORKS plays an vital role in the Design & Development of any product by providing millions of features & tools to design also reduces cycle time of Design with good accuracy & productivity”.

- Mr. Arvind Kumar  
Lead Planning Engineer

- Mr. Austin Dsouza  
Design Engineer

### CHALLENGES :

- Development of Products with 3D CAD for continual improving quality & accelerating production.
- Overdesigning of products.
- Better Visualization of end-product during Designing Stage.
- Reworking of Parts at Assembly stage.

### SOLUTION :

Implemented SOLIDWORKS Standard design software.

### CUSTOMER BENEFITS :

- Improved Aesthetic looks.
- SOLIDWORKS Animated Videos & Rendered images.
- Reduced Design errors.
- Reduced Design & Development cycle time by 40 percent.
- Improved product Quality, Marketability and Design Visualization & Presentation.

